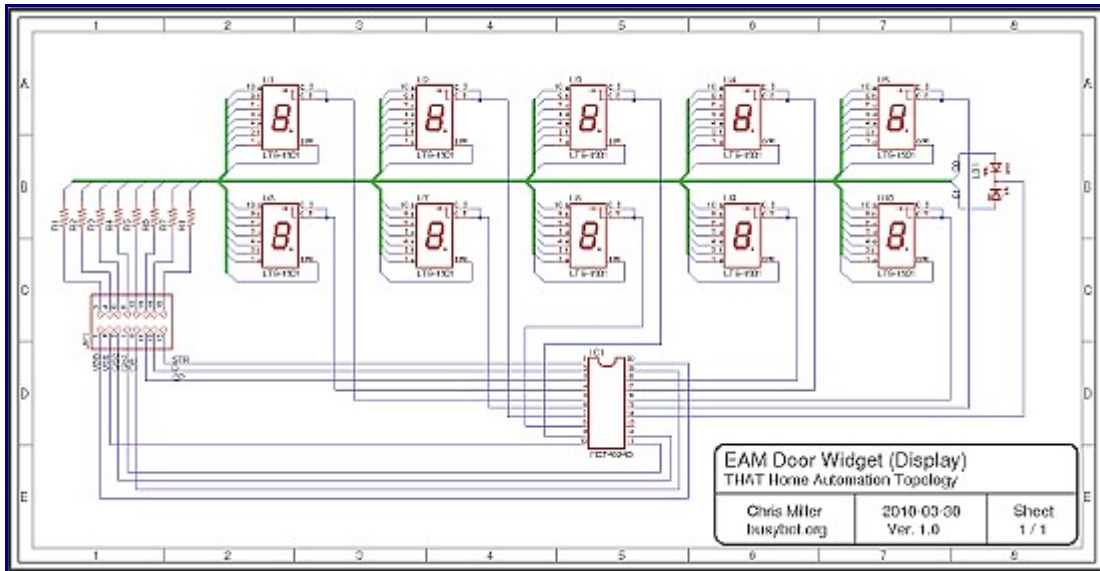


## Door Widget Display Schematic v1.0

2010-05-12 15:05:03 by Chris

The most recent schematic for the display portion of the Door Widget is shown in Figure 1. This schematic was created in CadSoft's EAGLE.



### Notes:

- U1 through U10 are the LTS-4301 seven-segment LED displays.
- IC1 is the HEF4894B 12-stage shift register.
- JP1 connects to the MCU portion of the Door Widget.